

TECHNICAL BULLETIN

[ 1 / 8 ]

FAM-A-0091-B

## Production Discontinuation of the FX3G Series

### ■Date of Issue

June 2024 (Ver. B: October 2024)

### ■Relevant Models

FX3G-14MR/ES, FX3G-14MT/ES, FX3G-14MT/ESS, FX3G-24MR/ES, FX3G-24MT/ES, FX3G-24MT/ESS, FX3G-40MR/ES, FX3G-40MT/ES, FX3G-40MT/ESS, FX3G-60MR/ES, FX3G-60MT/ES, FX3G-60MT/ESS, FX3G-14MR/DS, FX3G-14MT/DS, FX3G-14MT/DSS, FX3G-24MR/DS, FX3G-24MT/DS, FX3G-24MT/DSS, FX3G-40MR/DS, FX3G-40MT/DS, FX3G-40MT/DSS, FX3G-60MR/DS, FX3G-60MT/DS, FX3G-60MT/DSS, FX3GC-32MT/D, FX3GC-32MT/DSS, FX3G-CNV-ADP

---

Thank you for your continued support of micro programmable controllers, MELSEC-F series.

This technical bulletin informs you that production of FX3G series will be discontinued. (However, the extension devices that can be connected to the FX3S series products are excluded.)

We appreciate your kind understanding.

---

**MITSUBISHI ELECTRIC CORPORATION**

HEAD OFFICE: TOKYO BLDG., 2-7-3, MARUNOUCHI, CHIYODA-KU, TOKYO 100-8310, JAPAN  
NAGOYA WORKS: 1-14, YADA-MINAMI 5-CHOME, HIGASHI-KU, NAGOYA 461-8670, JAPAN

## 1 MODELS TO BE DISCONTINUED

Product	Model
FX3G main unit	FX3G-14MR/ES
	FX3G-14MT/ES
	FX3G-14MT/ESS
	FX3G-24MR/ES
	FX3G-24MT/ES
	FX3G-24MT/ESS
	FX3G-40MR/ES
	FX3G-40MT/ES
	FX3G-40MT/ESS
	FX3G-60MR/ES
	FX3G-60MT/ES
	FX3G-60MT/ESS
	FX3G-14MR/DS
	FX3G-14MT/DS
	FX3G-14MT/DSS
	FX3G-24MR/DS
	FX3G-24MT/DS
	FX3G-24MT/DSS
	FX3G-40MR/DS
	FX3G-40MT/DS
	FX3G-40MT/DSS
	FX3G-60MR/DS
	FX3G-60MT/DS
FX3G-60MT/DSS	
FX3GC main unit	FX3GC-32MT/D
	FX3GC-32MT/DSS
Special adapter interface adapter	FX3G-CNV-ADP

## 2 SCHEDULE

- Start of make-to-order production: January 1, 2026
- Order acceptance: Until June 30, 2026
- Production discontinuation: December 31, 2026

We will not accept orders after June 30, 2026, and will stop production when the accepted orders are completed.

## 3 REASON FOR DISCONTINUATION

Our company will have difficulty maintaining the production system since the production of the components of these products has been discontinued one after another.

## 4 REPAIR SUPPORT

Repair support period: Until December 31, 2033 (for seven years after the discontinuation of production)

(Note that, even during the repair acceptance period, the repair will not be supported if the parts run out of stock.)

## 5 RECOMMENDED MODELS

### Precautions on selection

The following table lists the models having the same specifications of the number of I/O points and output type as discontinued models.

Check the specifications in each manual before using these alternative models.

- It may be necessary to change programs or wiring depending on the commands that are used or the special extension device type.
- It may be necessary to change the entire system when an existing extension device is connected to an alternative model.

For details, refer to "Transition from MELSEC FX3G, FX3U, FX3UC Series to MELSEC iQ-F Series Handbook" (JY997D66201).

### 5.1 FX3G Main Units

Model to be discontinued	Alternative model	
FX3G main unit	FX5S CPU module	FX5UJ CPU module
FX3G-14MR/ES	FX5S-30MR/ES	FX5UJ-24MR/ES
FX3G-14MT/ES	FX5S-30MT/ES	FX5UJ-24MT/ES
FX3G-14MT/ESS	FX5S-30MT/ESS	FX5UJ-24MT/ESS
FX3G-24MR/ES	FX5S-30MR/ES	FX5UJ-24MR/ES
FX3G-24MT/ES	FX5S-30MT/ES	FX5UJ-24MT/ES
FX3G-24MT/ESS	FX5S-30MT/ESS	FX5UJ-24MT/ESS
FX3G-40MR/ES	FX5S-40MR/ES	FX5UJ-40MR/ES
FX3G-40MT/ES	FX5S-40MT/ES	FX5UJ-40MT/ES
FX3G-40MT/ESS	FX5S-40MT/ESS	FX5UJ-40MT/ESS
FX3G-60MR/ES	FX5S-60MR/ES	FX5UJ-60MR/ES
FX3G-60MT/ES	FX5S-60MT/ES	FX5UJ-60MT/ES
FX3G-60MT/ESS	FX5S-60MT/ESS	FX5UJ-60MT/ESS
FX3G-14MR/DS	FX5S-30MR/DS	FX5UJ-24MR/DS
FX3G-14MT/DS	FX5S-30MT/DS	FX5UJ-24MT/DS
FX3G-14MT/DSS	FX5S-30MT/DSS	FX5UJ-24MT/DSS
FX3G-24MR/DS	FX5S-30MR/DS	FX5UJ-24MR/DS
FX3G-24MT/DS	FX5S-30MT/DS	FX5UJ-24MT/DS
FX3G-24MT/DSS	FX5S-30MT/DSS	FX5UJ-24MT/DSS
FX3G-40MR/DS	FX5S-40MR/DS	FX5UJ-40MR/DS
FX3G-40MT/DS	FX5S-40MT/DS	FX5UJ-40MT/DS
FX3G-40MT/DSS	FX5S-40MT/DSS	FX5UJ-40MT/DSS
FX3G-60MR/DS	FX5S-60MR/DS	FX5UJ-60MR/DS
FX3G-60MT/DS	FX5S-60MT/DS	FX5UJ-60MT/DS
FX3G-60MT/DSS	FX5S-60MT/DSS	FX5UJ-60MT/DSS

### 5.2 FX3GC Main Units

Model to be discontinued	Alternative model
FX3G main unit	FX5UC CPU module
FX3GC-32MT/D	FX5UC-32MT/D
FX3GC-32MT/DSS	FX5UC-32MT/DSS

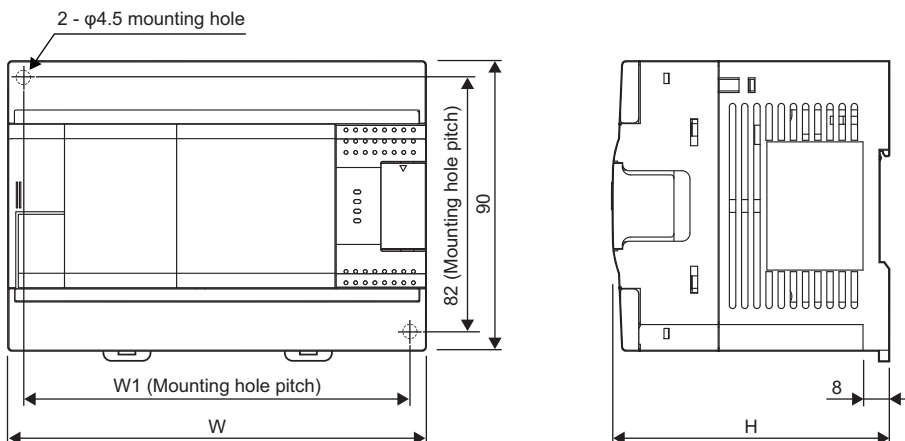
### 5.3 Special Adapter Interface Adapter

Model to be discontinued	RECOMMENDED MODELS
Special adapter interface adapter	FX5 series
FX3G-CNV-ADP	—

## 6 COMPARISON OF EXTERNAL DIMENSIONS

### FX3G, FX5S, and FX5UJ

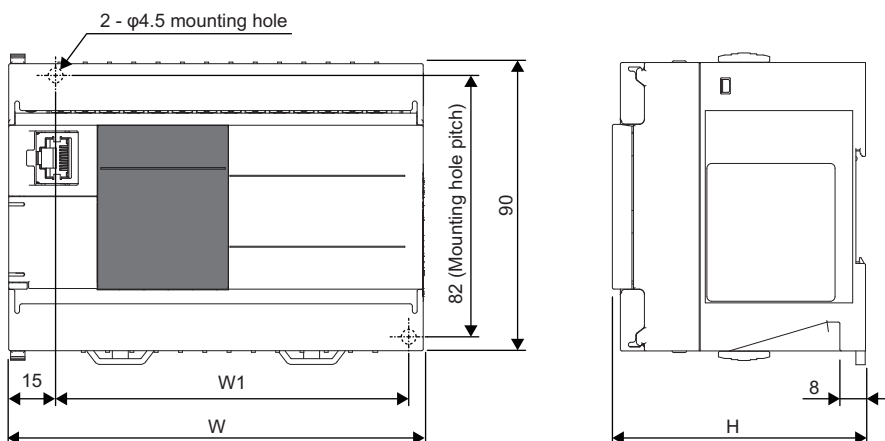
#### ■ FX3G



(Unit: mm)

Model	W	W1	H
FX3G-14/24M□	90	82	86
FX3G-40M□	130	122	86
FX3G-60M□	175	167	86

#### ■ FX5S



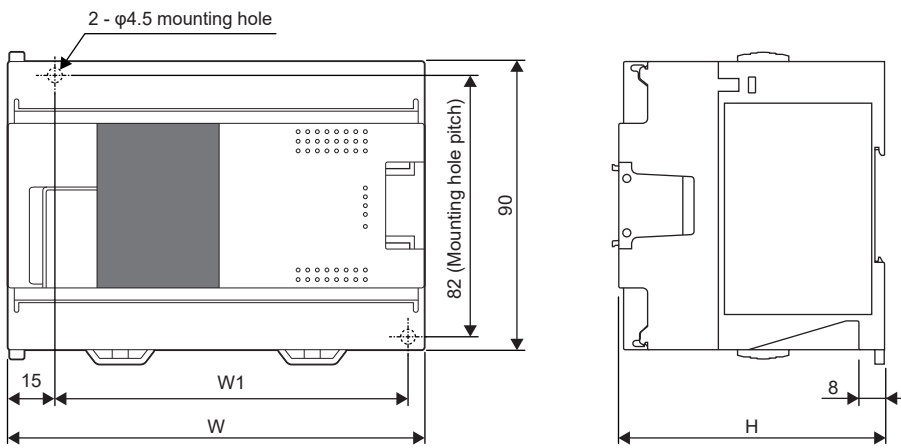
(Unit: mm)

Model	W	W1	H
FX5S-30M□	100 (+10)	81 (-1)	79 (-7)
FX5S-40M□	130 ( $\pm 0$ )	111 (-11)	79 (-7)
FX5S-60M□	175 ( $\pm 0$ )	156 (-11)	79 (-7)

Dimensional differences from the FX3G are shown in parentheses ( ).

FAM-A-0091-B

■ FX5UJ



(Unit: mm)

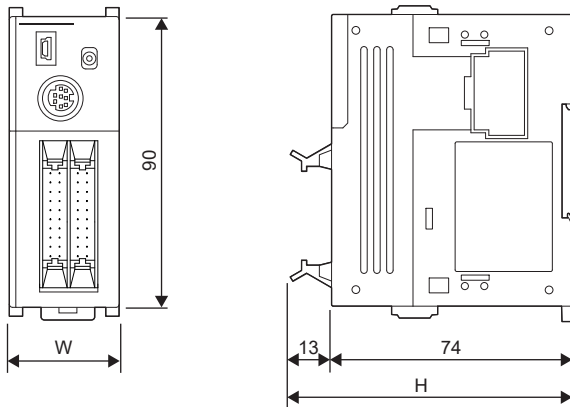
Model	W	W1	H
FX5UJ-24M□	95 (+5)	76 (-6)	83 (-3)
FX5UJ-40M□	130 (±0)	111 (-11)	83 (-3)
FX5UJ-60M□	175 (±0)	156 (-11)	83 (-3)

Dimensional differences from the FX3G are shown in parentheses ().

FAM-A-0091-B

**FX3GC, FX5UC**

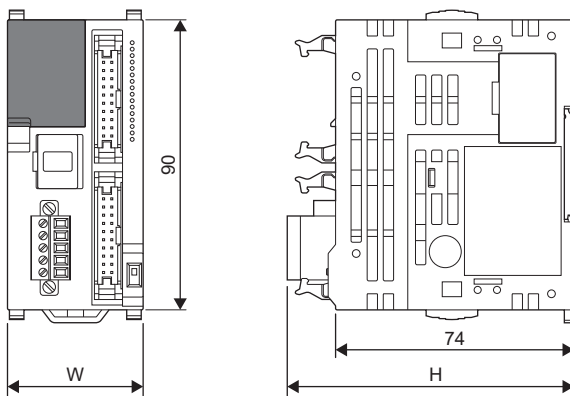
**■ FX3GC**



(Unit: mm)

Model	W	H
FX3GC-32MT/D□□	34	74 + 13 = 87

**■ FX5UC**



(Unit: mm)

Model	W	H
FX5UC-32MT/D□□	42.1 (+8.1)	89.1 (+2.1)

Dimensional differences from the FX3GC are shown in parentheses ( ).

## 7 COMPARISON OF BASIC FUNCTIONS AND SPECIFICATIONS

### FX3G, FX5S, and FX5UJ

Item		FX3G	FX5S	FX5UJ	
Main body	Number of I/O points	Main unit	14/24/40/60	30/40/60	24/40/60
		Maximum	128	60	256
		(With remote I/O)	Maximum 256	—	Maximum 256
	Power supply		AC/DC	AC/DC	AC/DC
	Input type		Sink/source type	Sink/source type	Sink/source type
	Output type		Relay, transistor (sink output/ source output)	Relay, transistor (sink output/ source output)	Relay, transistor (sink output/ source output)
	Functional expansion/ extension (Maximum number of connectable modules)	Board	○ <sup>*1</sup> (14/24 points: 1, 40/60 points: 2)	○ (1)	○ (1)
		Adapter	○ <sup>*1</sup> (14/24 points: 2, 40/60 points: 4)	○ <sup>*1</sup> (6)	○ <sup>*1</sup> (4)
		I/O, intelligent	○ (8)	×	○ <sup>*1</sup> (8)
	Battery availability		○	×	×
Functions	Built-in memory	Capacity	32k steps	48k steps	48k steps
	Built-in communication port		RS-422 USB (Mini-B)	Ethernet port USB (Mini-B)	Ethernet port USB (Mini-B)
	Built-in high-speed counter	Number of channels	6	8	8
		Maximum frequency	60kHz: 4 channels 10kHz: 2 channels	100kHz: 4 channels 10kHz: 4 channels	100kHz: 4 channels 10kHz: 4 channels
	Built-in positioning <sup>*2</sup>	Number of axes	14/24 points: 2 40/60 points: 3	4	3
		Maximum frequency	100kpps	100kpps	200kpps

\*1 There may be a limit to the maximum number of connectable modules depending on the device used. Refer to the manual of each model for details.

\*2 The built-in positioning function is only available in transistor output type CPU modules and main units.

FAM-A-0091-B

**FX3GC and FX5UC**

Item		FX3GC	FX5UC	
Main body	Number of I/O points	Main unit	32/64/96	
		Maximum	384	
		(With remote I/O)	Maximum 512	
	Power supply		DC	DC
	Input type		Sink/source type	Sink/source type
	Output type		Transistor (sink output/source output)	Transistor (sink output/source output)
	Functional expansion/extension (Maximum number of connectable modules)	Adapter	○*1 (4)	○*1 (6)
		I/O, intelligent	○ (8)	○ (16)
Battery availability		○	○	
Functions	Built-in memory	Capacity	32k steps	128k steps
	Built-in communication port		RS-422 USB (Mini-B)	Ethernet port RS-485
	Built-in high-speed counter	Number of channels	6	8
		Maximum frequency	60kHz: 4 channels 10kHz: 2 channels	200kHz: 8 channels
	Built-in positioning*2	Number of axes	2	4
		Maximum frequency	100kpps	200kpps

\*1 There may be a limit to the maximum number of connectable modules depending on the device used. Refer to the manual of each model for details.

\*2 The built-in positioning function is only available in transistor output type CPU modules and main units.

**REVISIONS**

Version	Date of Issue	Revision
A	June 2024	First edition
B	October 2024	<ul style="list-style-type: none"> <li>Added the height information H to Chapter 6 COMPARISON OF EXTERNAL DIMENSIONS.</li> <li>Added the DC type to the FX5S power supply specifications in Chapter 7.</li> </ul>

**TRADEMARKS**

The company names, system names, and product names mentioned in this technical bulletin are either registered trademarks or trademarks of their respective companies.

In some cases, trademark symbols such as <sup>™</sup> or <sup>®</sup> are not specified in this technical bulletin.